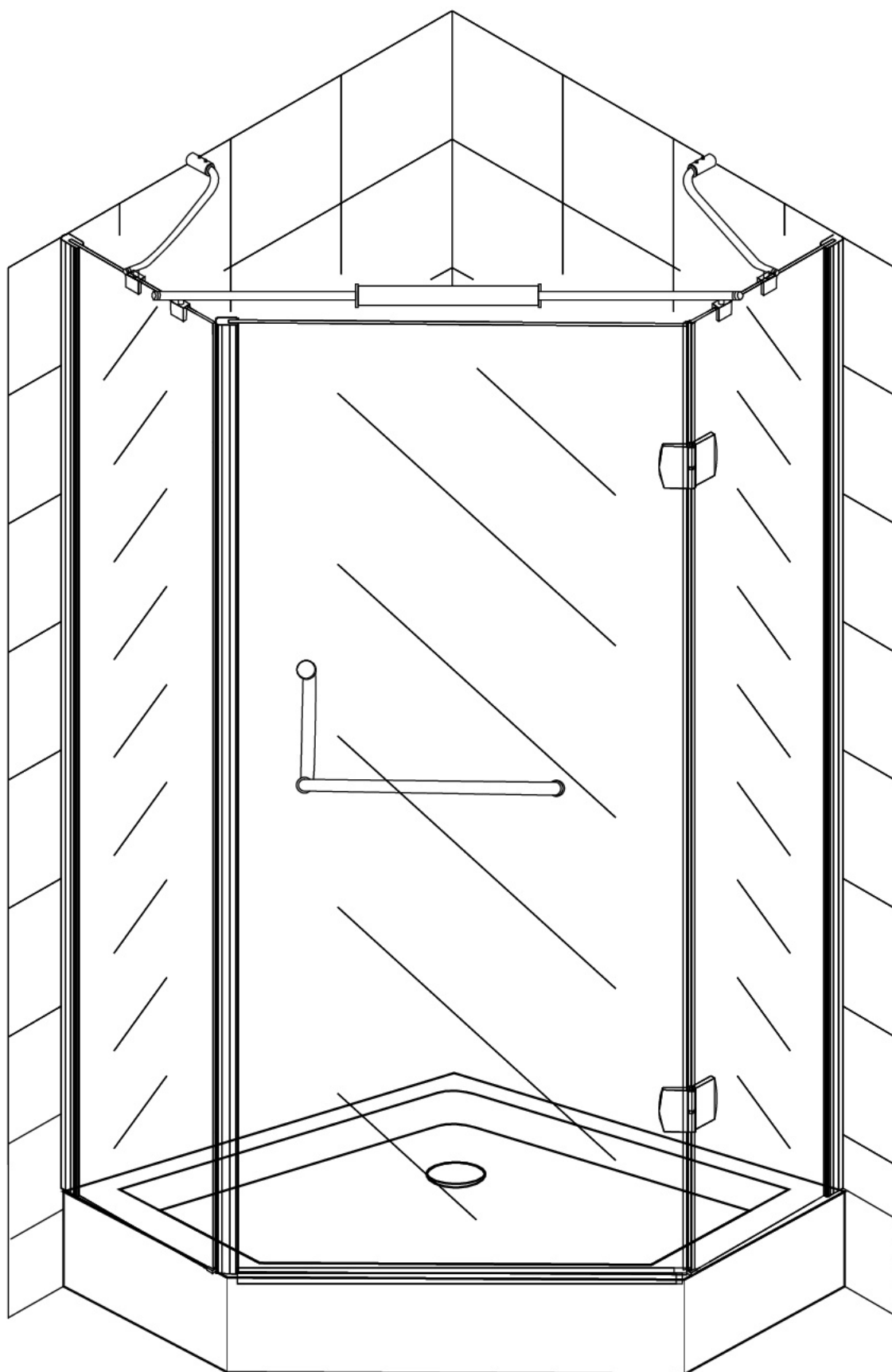


# Инструкция по установке Grossman GR-8090



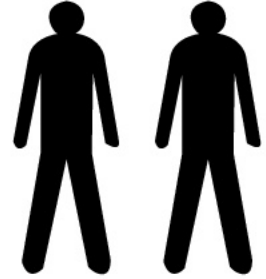
Grossman.su  
продажа, установка  
8(495)972-80-69

# Installation instructions

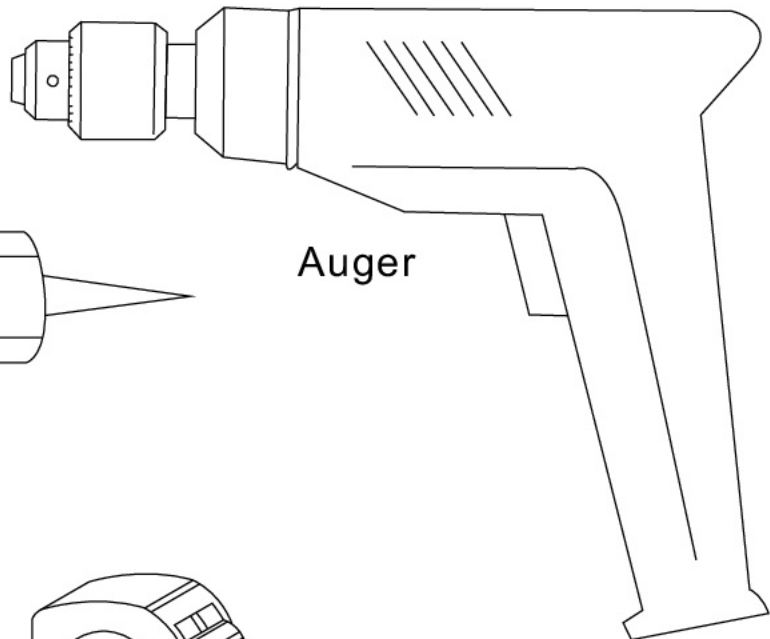
## TOOLS REQUIRED(NOT SUPPLIED)

when you're ready to start,make sure that you have the following tools to hand,plenty of space and a clean dry area for assembly.

Two people are needed. Please note:although these instructions are comprehensive,We always recommend that a technically competent installer should undertake installation.

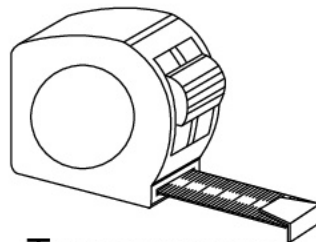
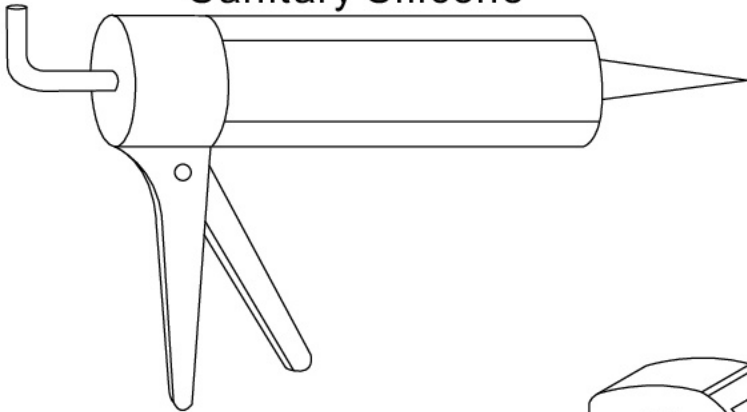


Drill beat head  
5. 5mm

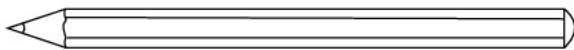


Auger

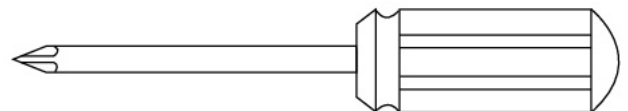
Sanitary Silicone



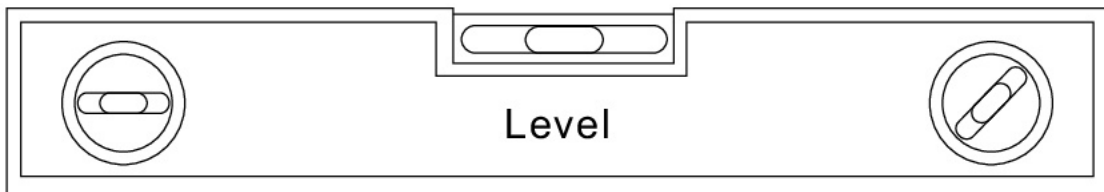
Tape measure



Pencil

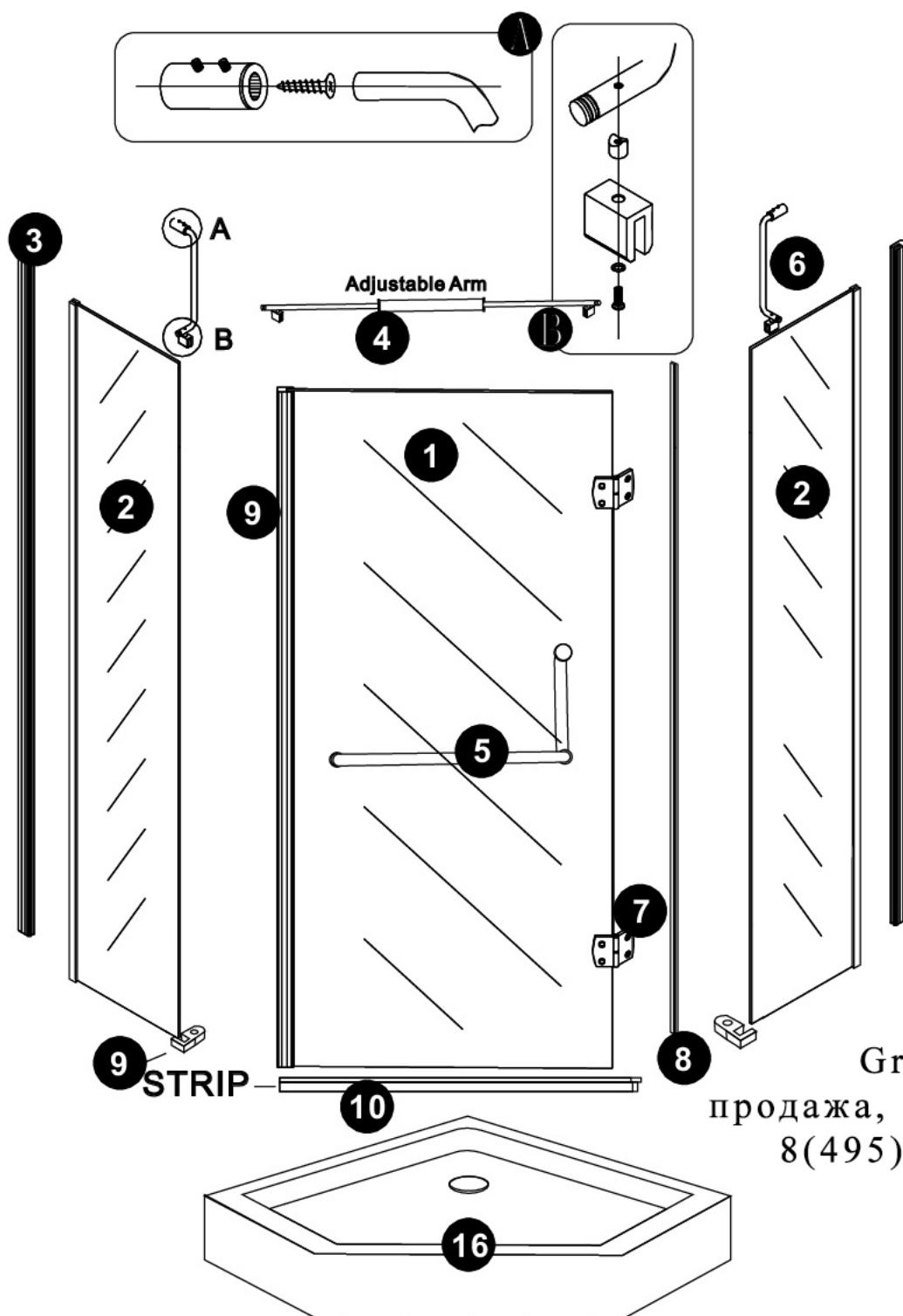


Magnetic crosshead screwdriver



Level

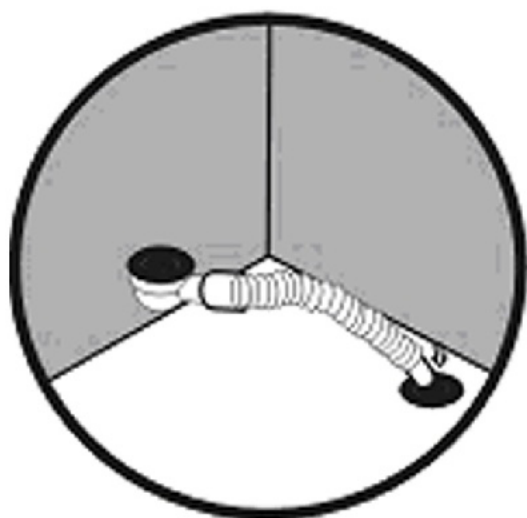
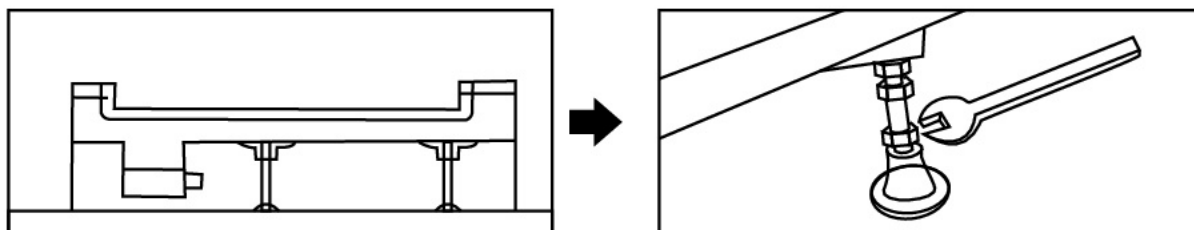
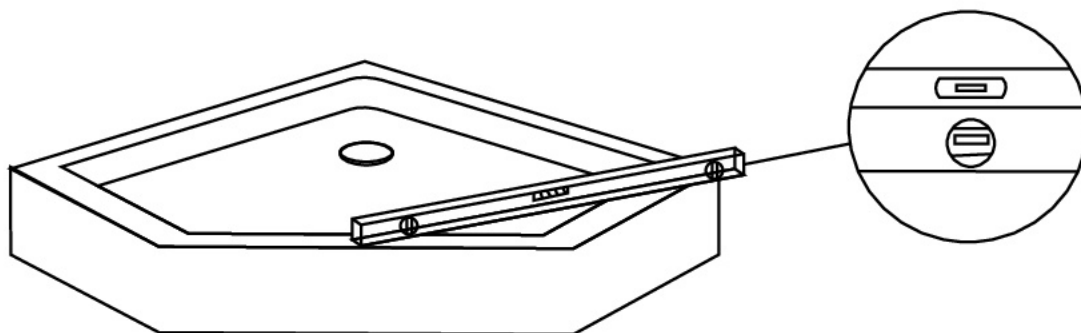
# Installation instructions



Grossman.su  
 продажа, установка  
 8(495)972-80-69

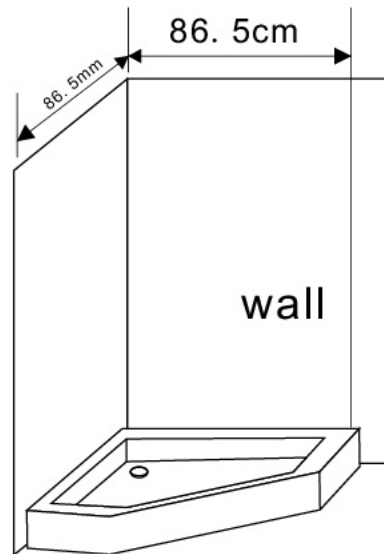


# Installation instructions

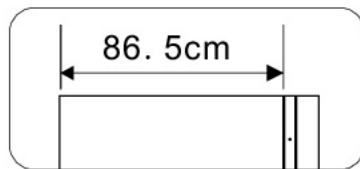


Lift the rear part of bottom basin,  
and then insert one end of the pipe  
into the drainage hole

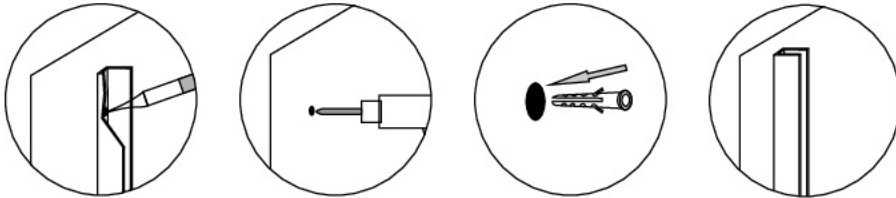
# Installation instructions



1. Measure the distance of 86.5cm along the wall from the furthest corner of the opening as to determine where the Aluminum Frame (3) is to be fitted. Mark with pencil.



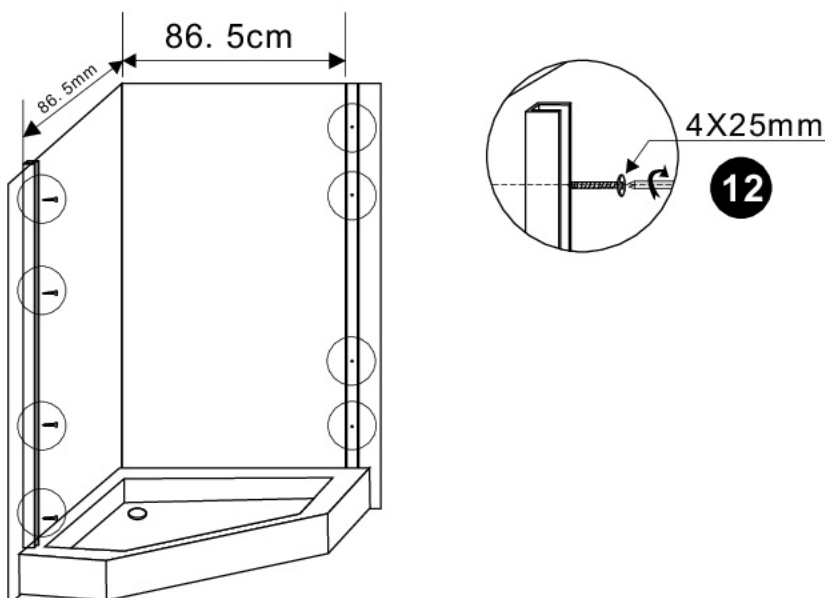
2. Using a Spirit level, draw a horizontal line from top to bottom. Hold the Aluminum frame (3) parallel with the penciled mark on the wall and mark the pre-drilled holes inside the Aluminum Frame (3).



Using a 5.5mm Ceramic Tile Drill bit, drill carefully through the Tile only, and replace the Ceramic Tile drill with a 5.5mm Masonry Drill bit.

Drill 30mm deep into the wall, attempt not to use the Hammer-action on your drill as it may cause the Ceramic Tile to crack or break.

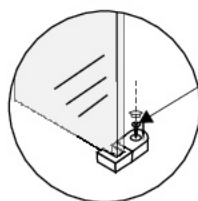
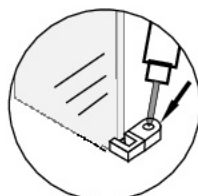
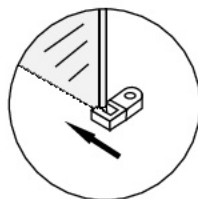
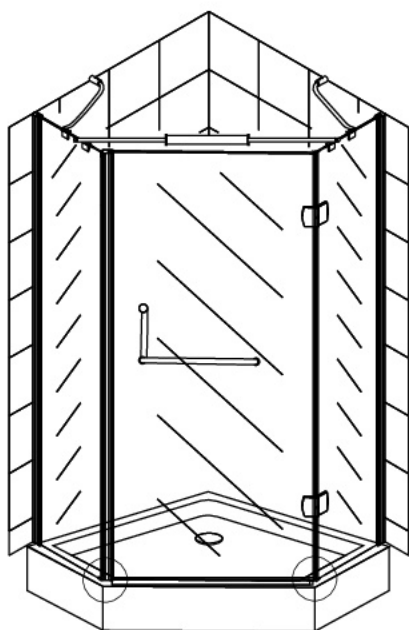
Insert wall plugs (13) into hole and tap in until flush with tiles.



3. Using a Phillips Screwdriver, secure the Aluminum Frame to the wall using the screws (12) provided. It may be a good idea to check by use of the spirit level if work is plumb.

Repeat the same steps on opposite wall.

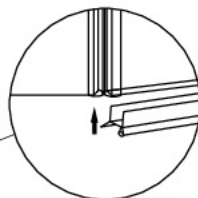
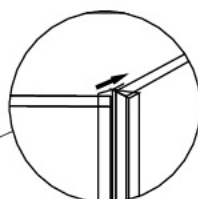
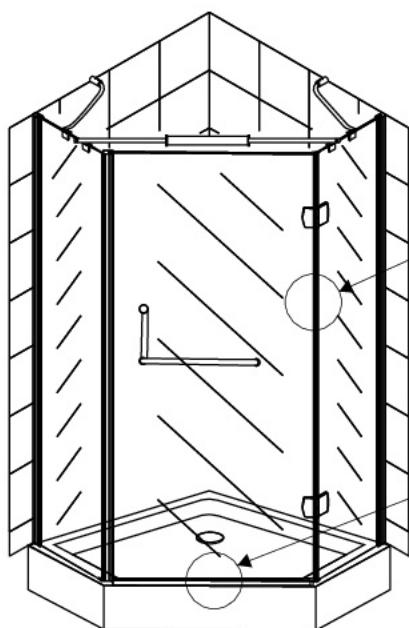
# Installation instructions



4X14mm

15

8. Use u-shaped Clip(11) to secure the Glass Side Panel(2) to the floor once perpendicular to the wall(use a square) as to ensure a good fit with the Shower Door.

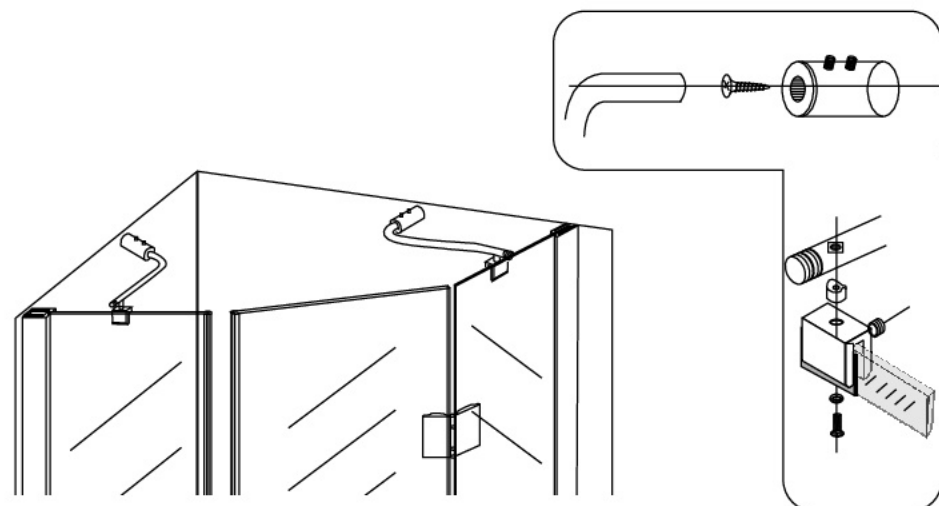


9. Insert the vertical seal(8) supplied to the side of the door(1) where the pre-drilled holes are ensuring you have an overlap of equire length , top and bottom.

(This can later be trimmed using a carpet-knife).

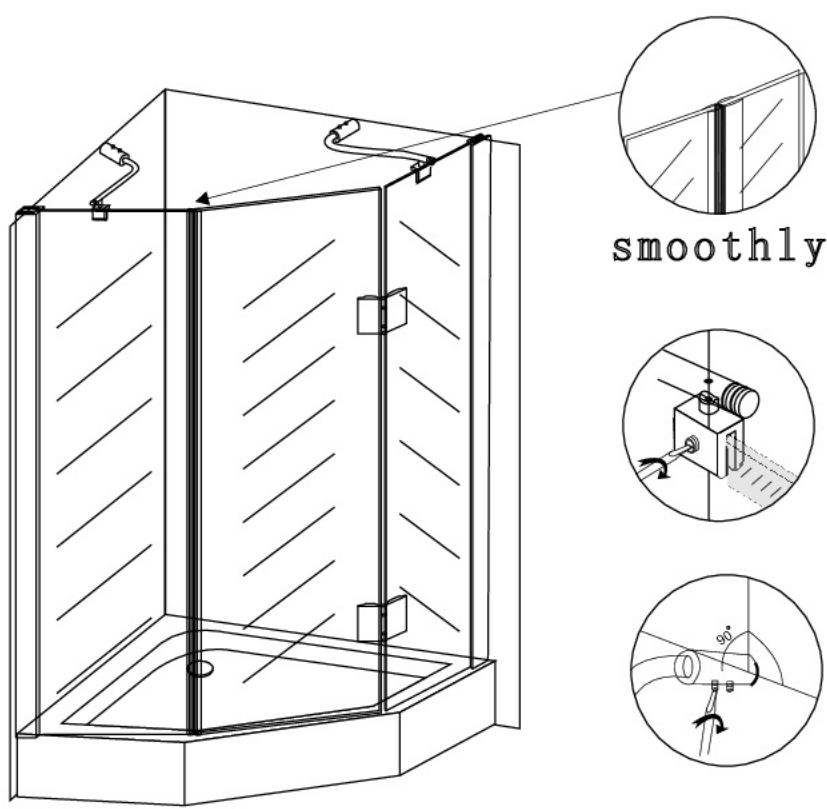
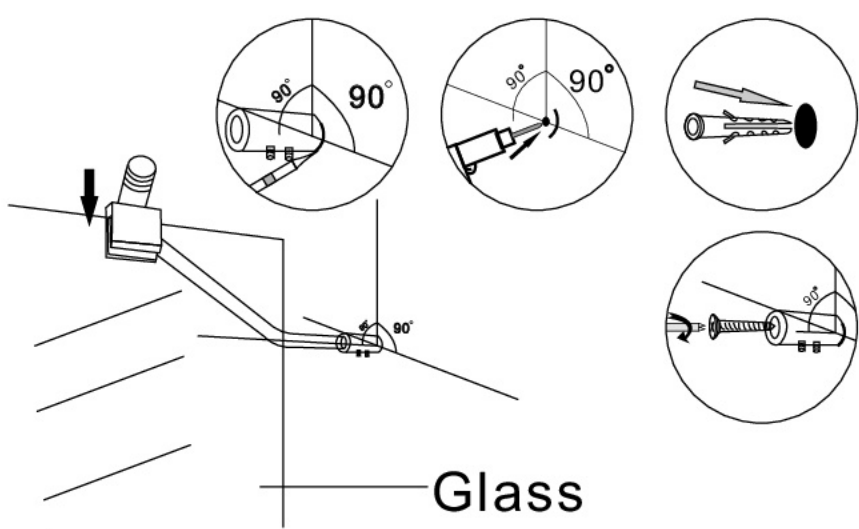
Insert the bottom seal (10) to the bottom of the shower door(1).

# Installation instructions



10. Assemble and fit the Chrome support-arm(6) to the wall and shower panels as shown in the instructions (A&B).

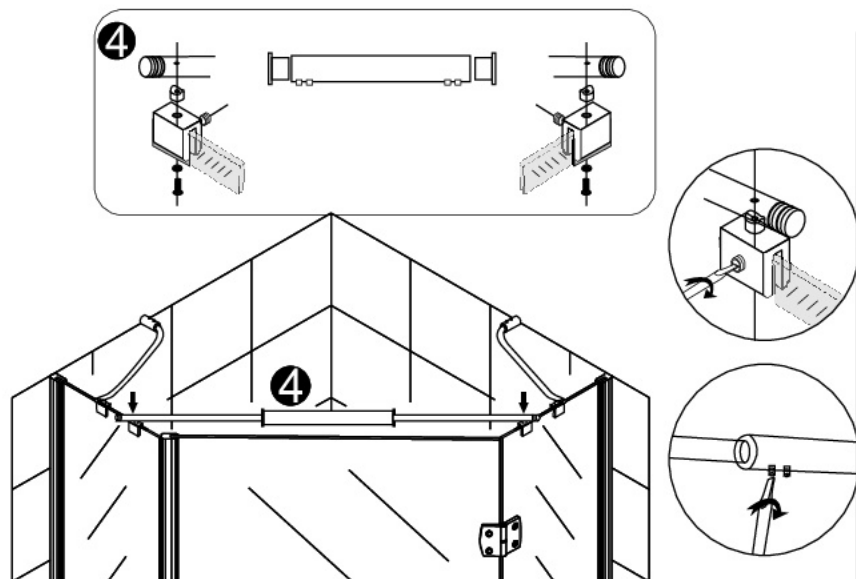
Do not over-tighten bracket onto glass.



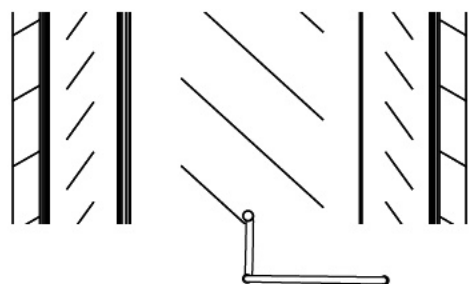
11. Shower Door and the Large Glass panel should be a flush fit if installed correctly.

Tighten the hinges securely.

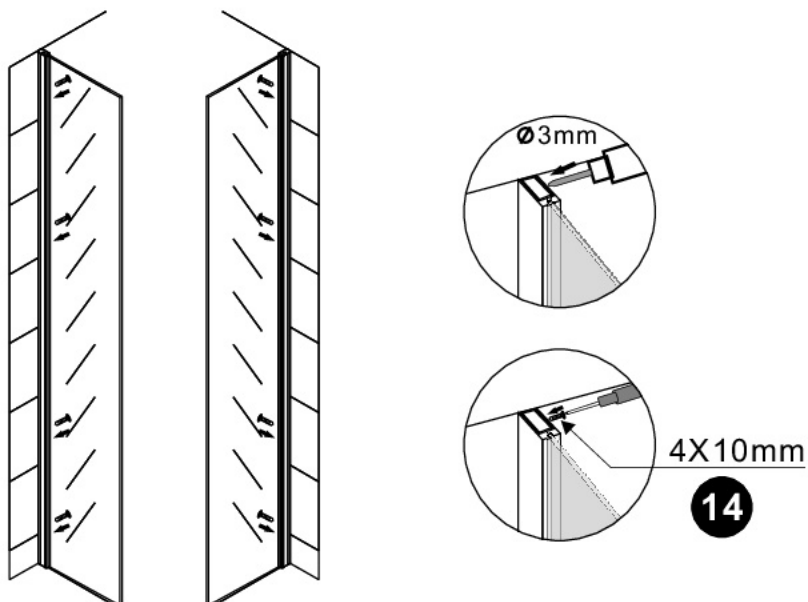
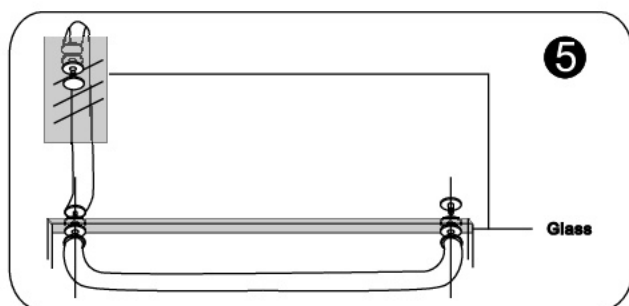
# Installation instructions



12. Fix the adjustable arm (4) to the both fix panels (2).



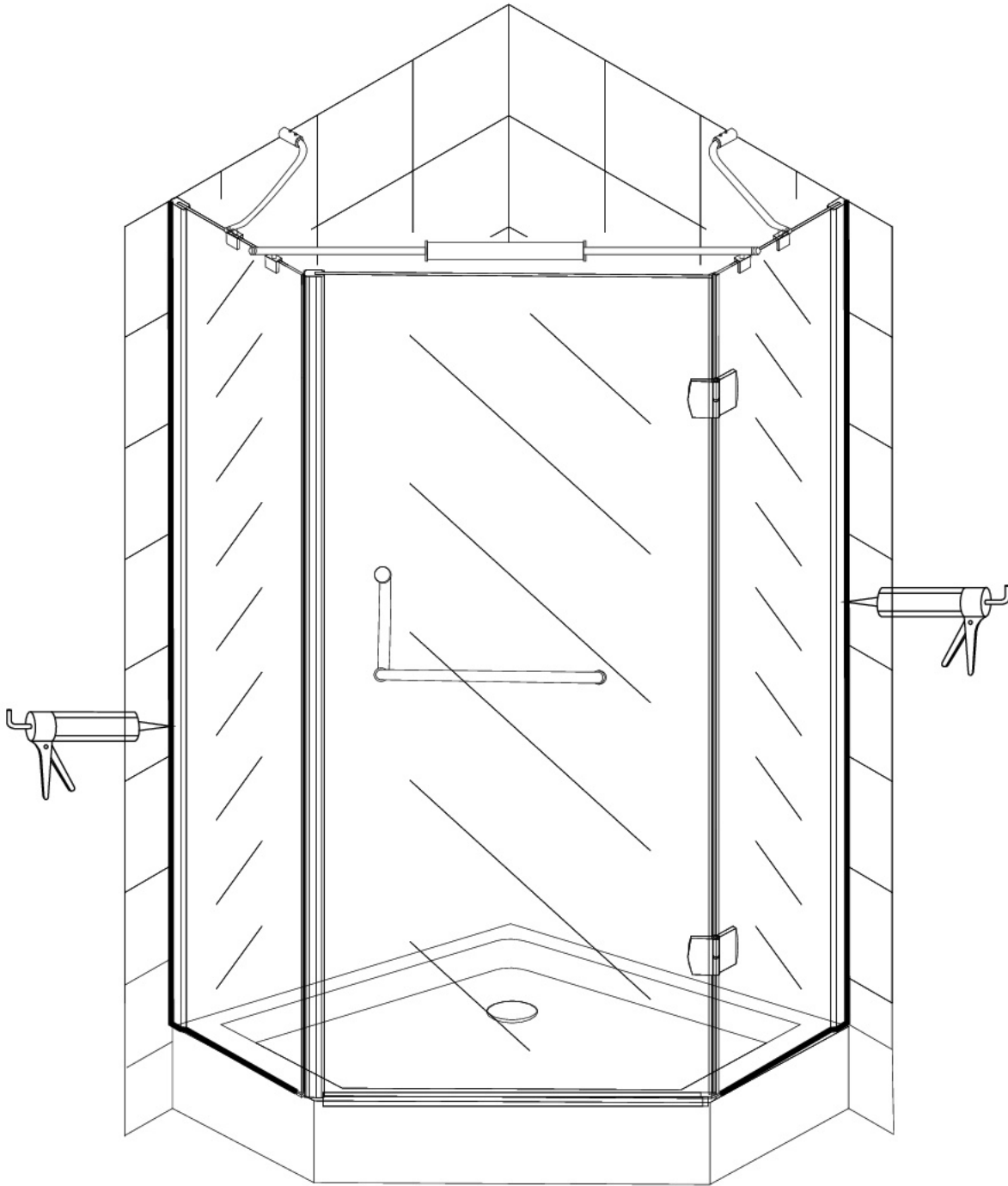
13. Fix the handle (5) onto the glass door (1).



14. It is recommended to use a clear marine silicone to ensure that the floor of the enclosure is leak free.



## Installation instructions



Apply Sanitary Silicone Only.as Shown  
Above To The Joints And Exterior Of The  
Cabin.do Not Apply Silicone Sealant To  
The Inside Of The Enclosure.

Warning: Don't use the shower enclosure  
until after at least 24 hours,  
so that the silica gel can be totally dry.